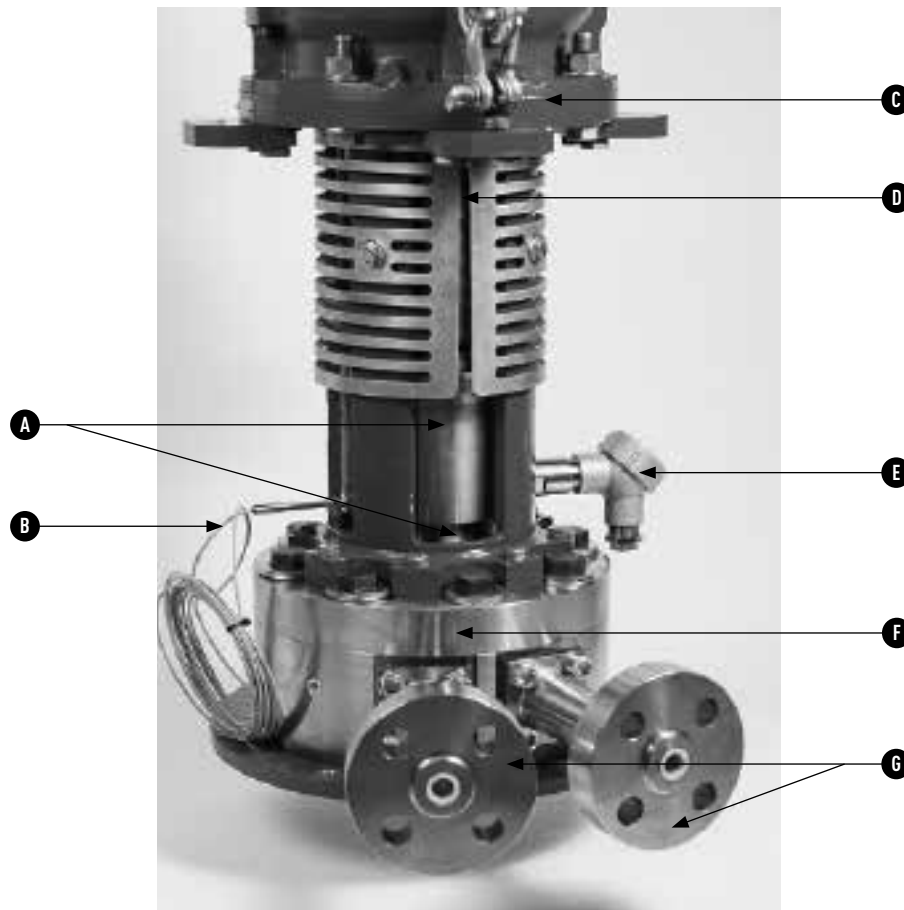


- A - Bearings
- B - Temperature sensor
- C - Electric motor
- D - Magnetic coupling
- E - Vibration switch
- F - Impellor casing
- G - Gas inlet/outlet



Product Description

Reliable dry gas seal performance is dependent on a constant supply of clean seal gas at a pressure above that of the process, but when the compressor is stationary, there is no pressure differential within the gas seal support system to ensure clean gas flow across the seal faces. Using the John Crane Seal Gas Booster, suitable clean gas flow is provided to the seals whenever the compressor is in a transient or standstill state.

Design Features

- Designed for 5 years intermittent (2000 start/stop) operation
- Proven performance including in-house testing, globally placed customer units
- Zero maintenance
- Electrically powered, on demand automatic start-up
- NACE approved materials
- VFD available
- NEMA/ATEX Zone 2 classification available
- 12-month warranty

SEAL GAS BOOSTER

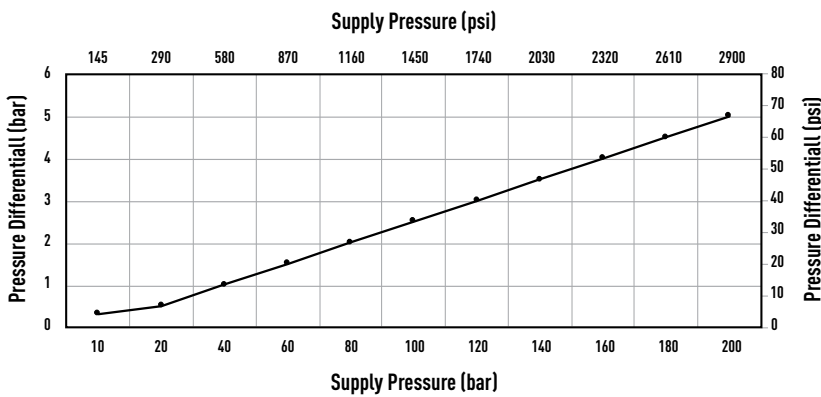
GAS CONDITIONING FOR CENTRIFUGAL COMPRESSORS AT PRESSURIZED STANDSTILL

Technical Specification

Performance Capabilities	
Gas composition	Natural Gas Process plus H ₂ , H ₂ S, NH ₃ , CO ₂
Gas operating pressure (HP version)	1015 to 2900 psig/70 to 200 barg
Max. gas inlet temperature	300°F/150°C
Flow rate	1.18 to 11.77 cfm/2 to 20 m ³ /h
Generated differential pressure	Min. 2.5 bar@11.77 cfm/20 Am ³ /h
Shaft speed	3600 rpm max (optional VFD)
NEMA/ATEX Zone 2 Certification	Yes
NACE approved materials	Yes
Dimensions	ATEX: 51.299"/1303 mm NEMA: 53.267"/1353 mm 17.323"/440 mm 23.898"/607 mm includes flange connection
Weight	772 lbs/350 kg

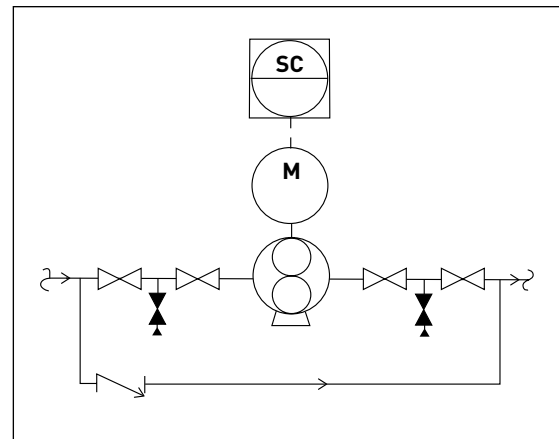
HP Booster Performance

Flow = 20 m³/hr / Speed = 3000 rpm / Inlet temp = 100°C / Gas = Methane / Δt = 10°C



The John Crane Seal Gas Booster delivers assured differential pressure and gas flow across the seal faces such that the gas seals remain in optimum operational condition and equipment is always ready, allowing for trouble-free start-up first time, every time.

Standard Booster Module



North America
United States of America
Tel: 1-847-967-2400
Fax: 1-847-967-3915

Europe
United Kingdom
Tel: 44-1753-224000
Fax: 44-1753-224224

Latin America
Brazil
Tel: 55-11-3371-2500
Fax: 55-11-3371-2599

Middle East & Africa
United Arab Emirates
Tel: 971-481-27800
Fax: 971-488-62830

Asia Pacific
Singapore
Tel: 65-6518-1800
Fax: 65-6518-1803

If the products featured will be used in a potentially dangerous and/or hazardous process, your John Crane representative should be consulted prior to their selection and use. In the interest of continuous development, John Crane Companies reserve the right to alter designs and specifications without prior notice. It is dangerous to smoke while handling products made from PTFE. Old and new PTFE products must not be incinerated. ISO 9001 and ISO14001 Certified, details available on request.