

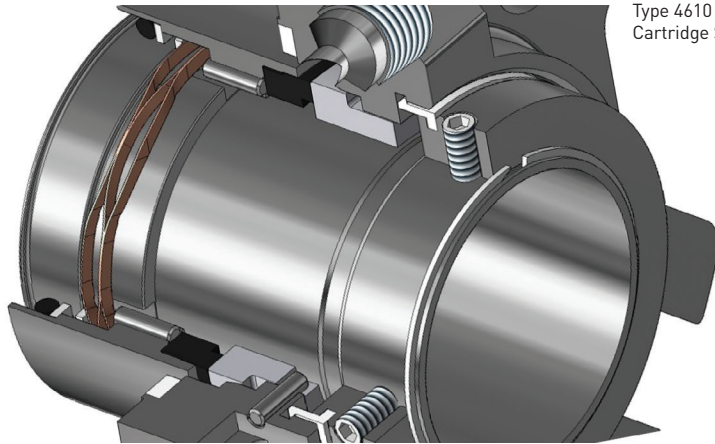
SOLUTION FOR LIQUID SEALING

DESIGN BENEFITS

- Minimizes unplanned maintenance
- Proven pressure-tested designs
- Complies with ANSI and DIN pump standards

PRODUCT DESCRIPTION

- When you are dealing with traditionally packed equipment, wasteful leakage, inefficient pump downtime and time-consuming maintenance are common. The proven and pressure-tested factory pre-set designs of the 4600 Series ensure greater equipment reliability.



Type 4610 Single
Cartridge Seal

SOLUTION FOR LIQUID SEALING

The Type 4600 series uses proven technology in a compact cartridge design to provide you with reduced installation times, lower maintenance costs and optimal equipment performance.

The non-clogging wave spring design of the Type 4610 reduces corrosive seal damage, extending seal life.

The 4615 offers metal bellows technology that enhances reliability by eliminating dynamic O-ring hang-up caused by process contamination, thermal gradients, and material deficiencies.

The optimized flow design of the 4620P increases face lubrication, preventing excessive wear and increases pump reliability.

Seal Type	Description	Cartridge Arrangement	Fits ANSI B73.1M	Fits DIN 24960	Integral Pumping Arrangement
4610	General duty O-ring pusher cartridge seal	Single	X	X	
4615	General duty metal bellows cartridge seal	Single	X	X	
4620P	General duty O-ring pusher dual cartridge seal able to operate as unpressurized tandem or pressurized double	Dual	X	X	X

Performance Capabilities

Pressure Limits	Speed Limits	Temperature Limits	Size Limits
220 psig/15 barg	Up to 3600rpm (Sizes 1.000" to 4.125"/ 24mm to 105mm) Up to 2700rpm (Sizes 4.250" to 4.750"/110mm to 120mm) Up to 1800rpm (Sizes 5.000" to 5.500"/125mm to 140mm)	266 °F/130 °C	4610: 1.000" to 5.500"/ 24mm to 140mm 4615: 1.000" to 3.750"/ 24mm to 85mm

Together, we will work with you to keep your mission-critical operations up and running with support and guidance from our experienced team.



North America
United States of America
Tel: 1-847-967-2400
Fax: 1-847-967-3915

Europe
United Kingdom
Tel: 44-1753-224000
Fax: 44-1753-224224

Latin America
Brazil
Tel: 55-11-3371-2500
Fax: 55-11-3371-2599

Middle East & Africa
United Arab Emirates
Tel: 971-481-27800
Fax: 971-488-62830

Asia Pacific
Singapore
Tel: 65-6518-1800
Fax: 65-6518-1803

If the products featured will be used in a potentially dangerous and/or hazardous process, your John Crane representative should be consulted prior to their selection and use. In the interest of continuous development, John Crane Companies reserve the right to alter designs and specifications without prior notice. It is dangerous to smoke while handling products made from PTFE. Old and new PTFE products must not be incinerated. ISO 9001 and ISO 14001 Certified, details available on request.