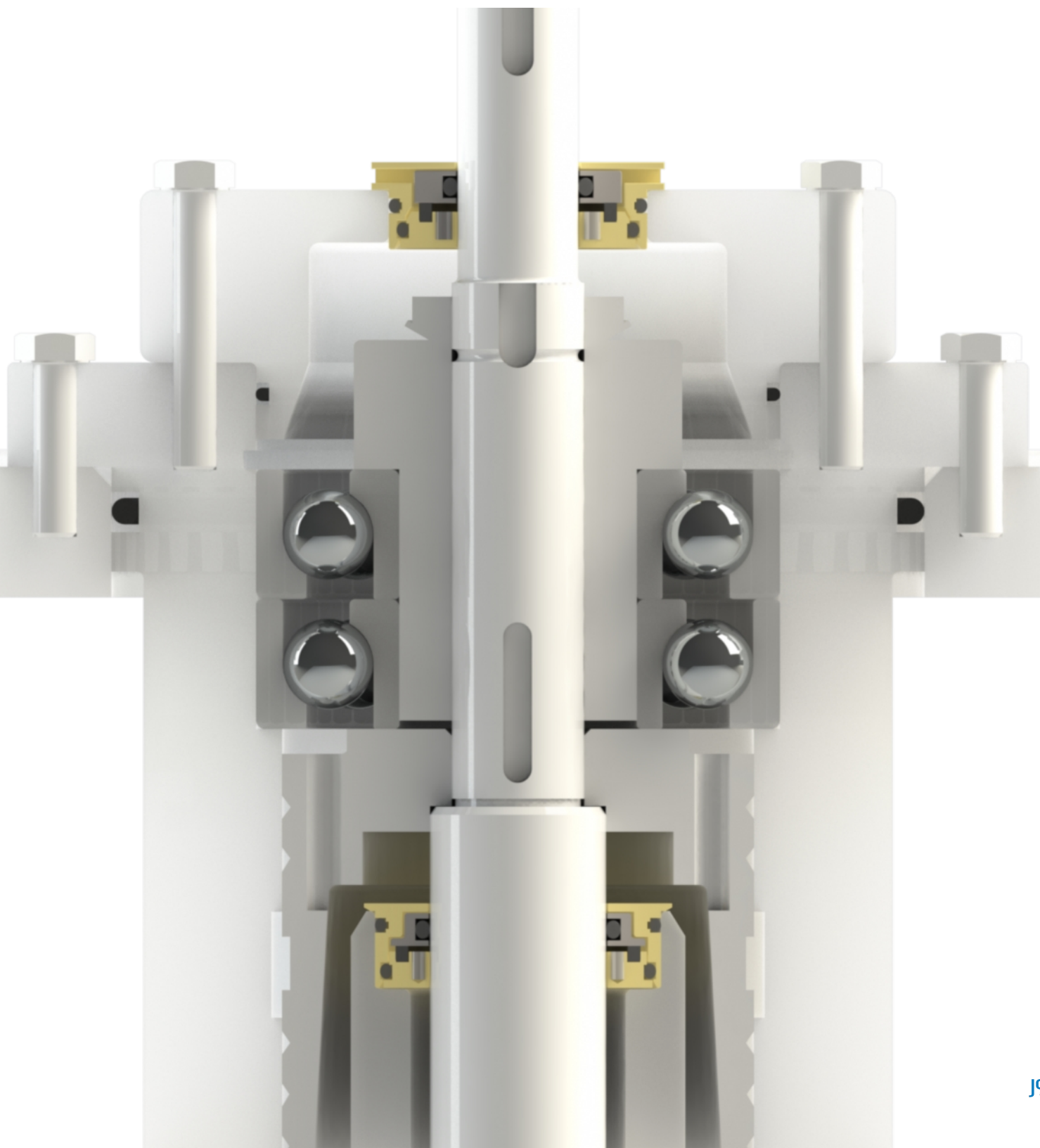


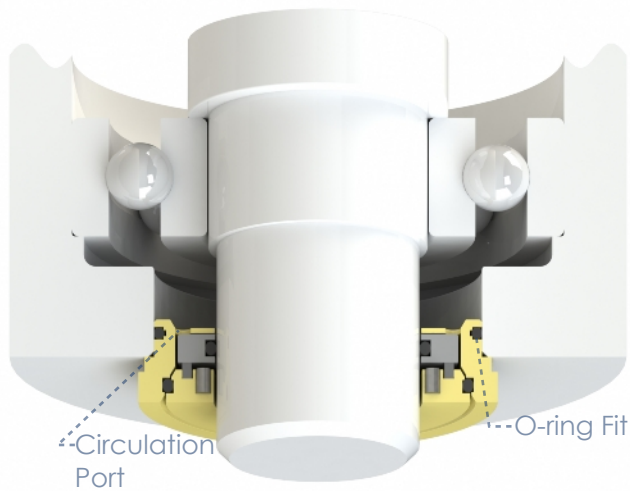
DURABLE BY DESIGN





An evolution in bearing protection

Isomag's advanced magnetic face technology delivers unparalleled performance. The lapped flat faces create a positive liquid tight seal preventing lubricant leakage and the ingress of contaminants in both static and dynamic conditions on horizontal and vertical equipment alike. By optimizing the magnetic energy loading, Isomag's are capable of running at shaft speeds well above average (up to 15,000 feet per minute) providing the ability to effectively seal the bearing housings on a wide variety of applications.

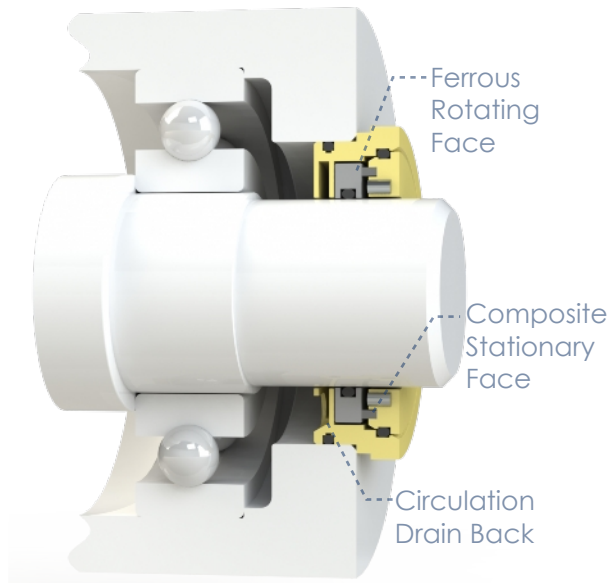


Magnum-P V6S

Lubrication: Bath, Flooded

Equipment: Pumps, Gearboxes

Orientation: Horizontal, Vertical Down

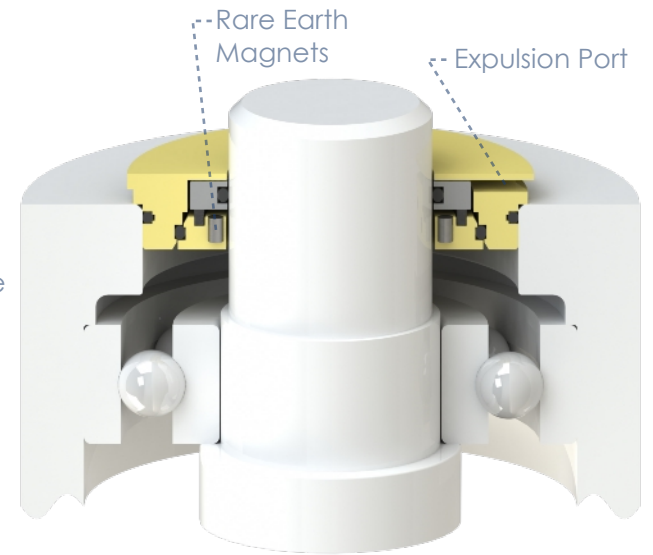


Magnum-P V7

Lubrication: Splash, Oil Mist, Circulated

Equipment: Pumps, Steam turbines

Orientation: Horizontal



Magnum-D V8

Lubrication: Splash, Grease

Equipment: Pumps, Motors, Gearboxes

Orientation: Horizontal, Vertical Up

Technical Specifications

Standard Materials: Bronze, Stainless Steel (17-4PH, 304SS)

Temperatures: 400°F/205°C max, -15°F/-26°C min

Pressure: 0-5 PSI

Shaft Size: 3/4in (20mm) - 24in (610mm)

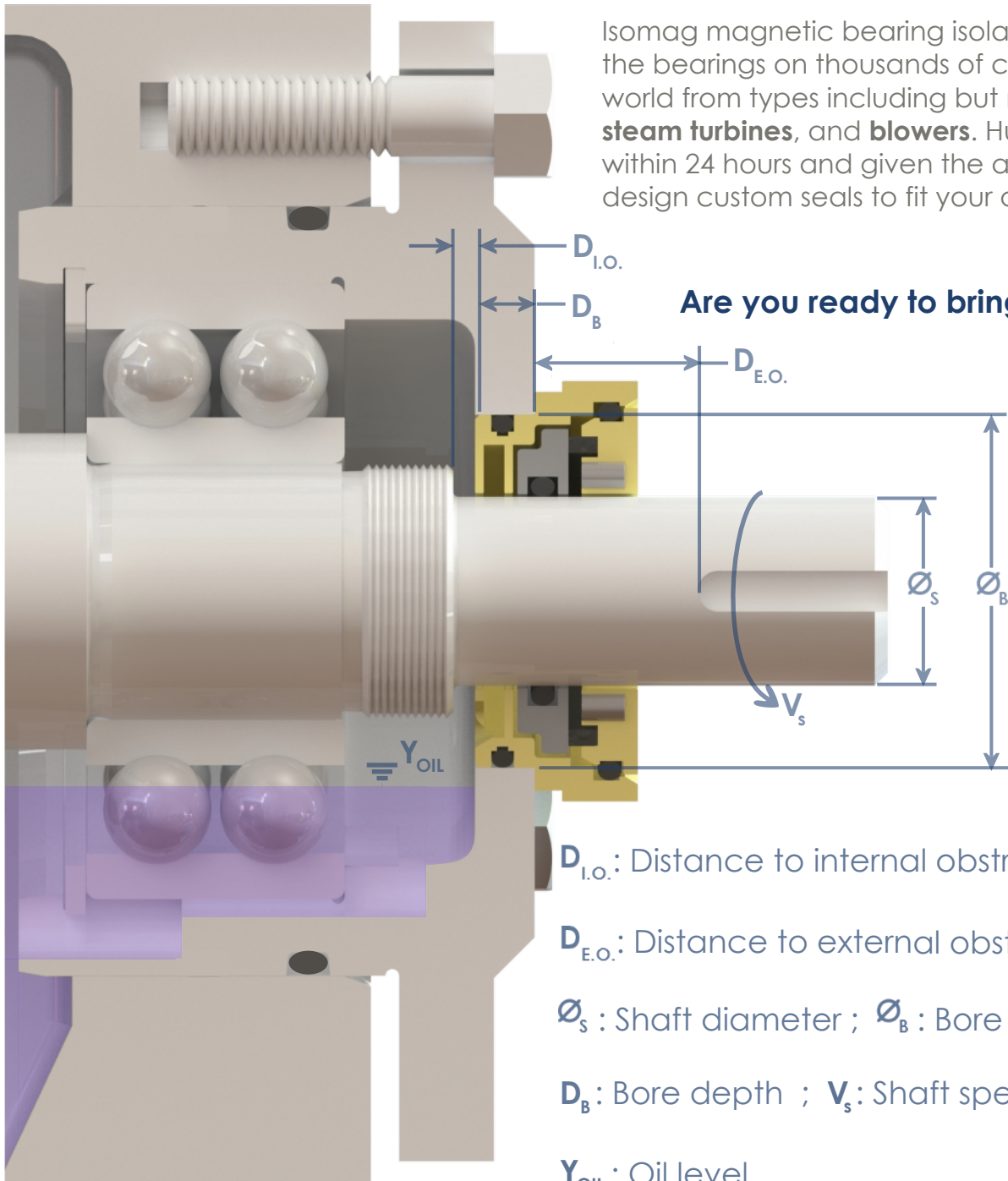
Shaft Speed: 15,000 ft/min

Axial Movement: +/- 1.0 in or greater

Radial Movement: .020 in

Configurations: Bolted, Non-flanged, Male/Female fit

Isomag magnetic bearing isolators use superior face seal technology to protect the bearings on thousands of centrifugal machinery applications around the world from types including but not limited to: **pumps, gearboxes, electric motors, steam turbines, and blowers.** Hundreds of standard sizes are stocked and ship within 24 hours and given the appropriate information (shown here) Isomag will design custom seals to fit your application's needs.



Are you ready to bring your bearing reliability to the next level?

- Reduce frequency of oil changes
- Increase bearing life over 75000 hrs
- Eliminate wear to host equipment
- Prevent lubricant leakage
- Prevent contamination ingress

$D_{I.O.}$: Distance to internal obstruction

$D_{E.O.}$: Distance to external obstruction

\varnothing_S : Shaft diameter ; \varnothing_B : Bore diameter

D_B : Bore depth ; V_S : Shaft speed

Y_{OIL} : Oil level

Isomag Corporation
 11871 Dunlay Avenue
 Baton Rouge, LA 70809
 225.752.0926
www.isomag.com

